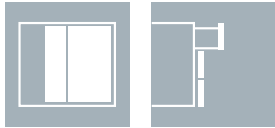
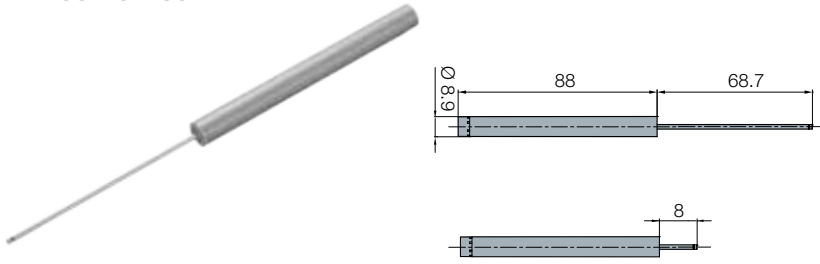
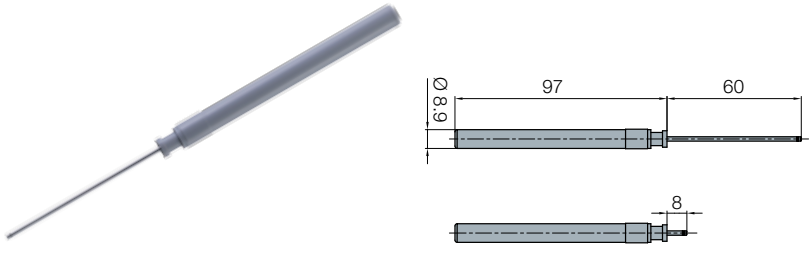
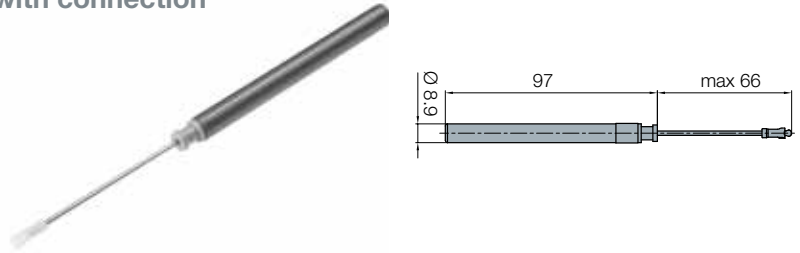
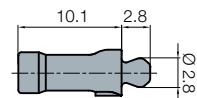
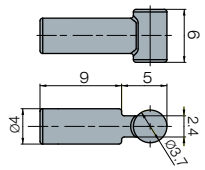
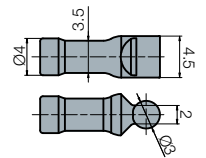


L Series

For standard temperature range



Technical details		Damping force at v=1000mm/min (N)	Working stroke (mm)	Piston rod return	Damping characteristics	Item number
LD 88 - 9 - 50 		10	50	mechanical	flat	961-0M69
		12.5	50	mechanical	flat	961-0M70
		15	50	mechanical	flat	961-0M71
		17.5	50	mechanical	flat	961-0M72
		20	50	mechanical	flat	961-0M76
	<i>Damping characteristics → see page 7</i>					
LD 97 - 9 - 50 		3.8	50	mechanical	flat	961-0M67
		4	50	mechanical	flat	961-0V32
		7	50	mechanical	flat	961-0X53
<i>Damping characteristics → see page 7</i>						
LD 97 - 9 - 50 with connection	With Connection C	4	50	mechanical	flat	961-0V36
<i>Damping characteristics → see page 7</i>						
						
						
Connection type A	Connection type B	Connection type C				
Connection can be customised						

L Series

For standard temperature range



Technical details

Damping force at
v=1000mm/min (N)

Working stroke (mm)

Piston rod return

Damping characteristics

Item number

LD 80-7.9-36

4.5

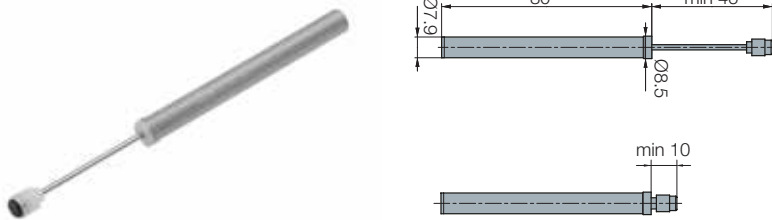
36

spring

reverse

961-0G03

Damping characteristics → see page 7



LD 80-7.9-45

3.5

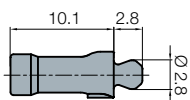
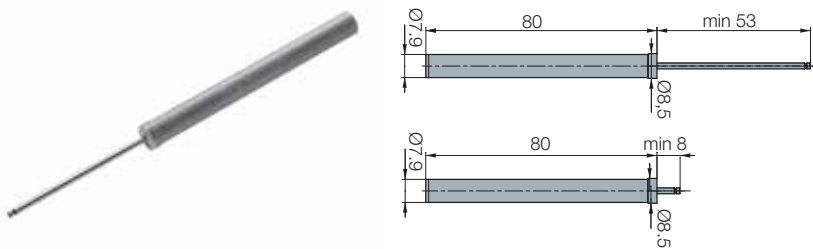
45

mechanical

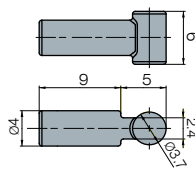
flat

961-0419

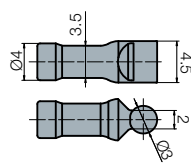
Damping characteristics → see page 7



Connection type A



Connection type B



Connection type C

Connection can be customised